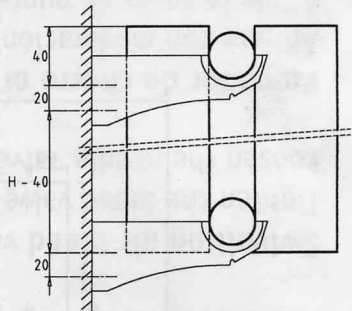
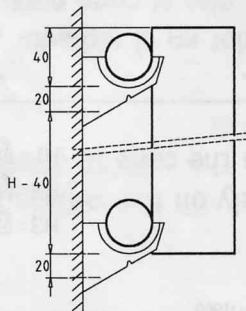
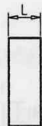


# RX / RXD



(mm)

$145 < L$



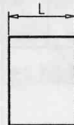
x 2

$145 < L < 215$



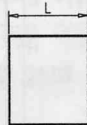
x 3

$215 < L < 1500$



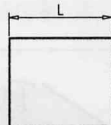
x 4

$1500 < L < 3000$



x 6

$3000 < L < 4000$



x 8